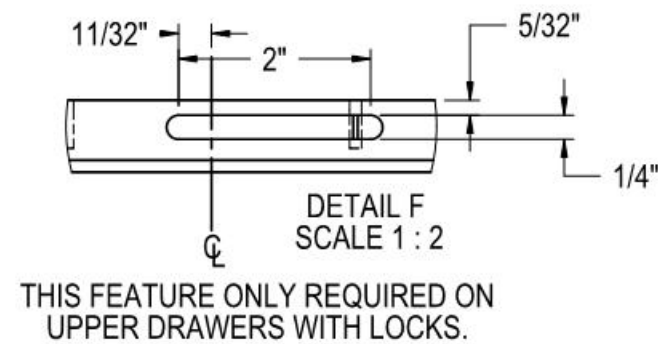


NOTE: THESE PART NUMBERS FIT DOORS OR DRAWERS ON HP & HC CABINETS WITH SERIAL NUMBER 664985 OR GREATER.



UNLESS OTHERWISE SPECIFIED:		SIGNATURES		DATE	Perlick Corporation Milwaukee, Wisconsin		
DIMENSIONS ARE IN INCHES TOLERANCES: .X = ±.05 .XX = ±.01 .XXX = ±.005 ANGULAR: ±.05, FRACTIONS: ± 1/64 BREAK SHARP EDGES - .015 X 45° RADIUS SHARP FILLETS - .015 TO .031		DESIGNED	KS	10/8/09	TITLE: SOLID WOOD OVERLAY 24" HP & HC DRAWERS		
MATERIAL: WOOD		DRAWN	DAS	1/4/10	REFERENCE: PART NO. 68134-6	DWG NO. 68134	
		CHECKED			PURCHASE REC.:	SCALE = 1:5	SHEET 6 OF 10
<small>THIS DOCUMENT / PUBLICATION / SOFTWARE / DRAWING CONTAINS PROPRIETARY INFORMATION WHICH IS THE PROPERTY OF THE PERLICK CORPORATION. IT MAY NOT BE REPRODUCED OR TRANSMITTED IN ANY FORM, ELECTRONIC OR MECHANICAL, INCLUDING PHOTOCOPYING, RECORDING, OR USED IN ANY INFORMATION STORAGE, TRANSMISSION, OR RETRIEVAL SYSTEM, WITHOUT WRITTEN PERMISSION FROM THE PERLICK CORPORATION. COPYRIGHT 2001 PERLICK CORPORATION. ALL RIGHTS RESERVED.</small>							

REVISIONS		